

STANDARD EQUIPMENT

1703 • 2003

OPTIONS

1703 • 2003

GENERAL**Rubber track**

1703 230 mm

2003 250 mm

Dozer blade

Working light mounted to the boom

Tool kit incl. grease gun and operator manual

ENGINE

Water-cooled YANMAR diesel engine

CAB

Canopy: Adjustable driver seat with imitation leather cover and safety belt, canopy (and cabin) complies with FOPS, TOPS and ROPS regulations

HYDRAULICS

Summation regulated

Hydraulic pilot control via joystick

Valve control according to ISO, DIN, SAE, PCSA and EURO

Auxiliary hydraulic connection for two directions of motion, mounted on dipperstick

Dual travel speed

Hydraulically dampened drive pedals

Hydraulic oil cooler

2003 Hydraulic telescopic undercarriage from 990 mm to 1.300 mm, with dozer blade extensions

CAB**Safety cabin**

Cabin heating,
Split front window,
Top swings back,
Bottom lifts out,
Windscreen wiper and washing system,
1 cabin door,
Covered cab interior.
The cabin is removable and complies with FOPS, TOPS and ROPS regulations.

Cab with 2 doors

Canopy with back window**Radio**

Radio set incl. aerial and speakers

Pre-installation radio**Rain cover****Extension of the backrest****HYDRAULICS****Biological oil Panolin****BP-Biohyd SE46****Flat faced couplers****Proportional control** (aux. hyd)**Addit. piping for grapple****Overload valve for auxiliary hydraulic****Overload system Germany****Overload system France****Prepar. hydraulic QH-system (EASY LOCK)****Pilot circuit Powertilt****PAINT****Special paint 1 RAL**

for parts in yellow only

Special paint 1 no RAL

for parts in yellow only

Special paint cabin/canopy RAL

RAL colours only

MISCELLANEOUS**VDS Vertical Digging System****Cab lighting front****Cab lighting front and rear****Flashing beacon****driving signal****Long dipperstick (+200mm)**

1703 Hydraulic telescopic undercarriage from 990 mm to 1.300 mm, with dozer blade extensions

Dozer blade long**Security 24 (1500 h)**

Warranty extension to 24 months or 1500 operation hours

Security 24 (2000 h)

Warranty extension to 24 months or 2000 operation hours

Drive interlock KAT

Wacker Neuson compact equipment offers power and manoeuvrability on the spot. Any time, any place.

We consider it a constant duty to ensure that our promise regarding our products and services is fulfilled:

Reliability, Trust, Quality, Reactivity, Flexibility and Innovation.

Compact construction equipment of the Wacker Neuson brand also does the business where others can only stand and watch. Our products prove their worth through quality, power, intelligent hydraulics, compact dimensions, innovative technology, high productivity and reliability. This gives a form of set-up that only Wacker Neuson – the specialist in compact equipment – is capable of.

You too can take advantage of this bespoke capability. The Wacker Neuson compact class is in a class of its own. With success stamped right through it.



1000235917/12/2009/Heidmair/Gutenbergr

The Achiever

Wacker Neuson Compact Excavator
1703₂ • 2003₂


**WACKER
NEUSON**

**WACKER
NEUSON**

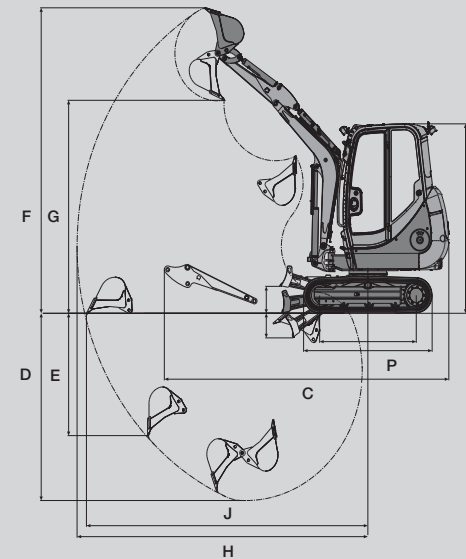
Concentrated power:

The really compact excavator.
As compact as is possible.
Maximum performance in mini format.

Wacker Neuson Facts:

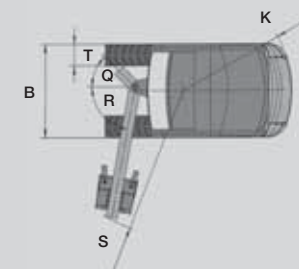
- Most powerful engines in their class.
- Hydraulic system with power control for high profitability and performance.
- Hydraulically balanced driving pedals.
- Spacious cabs.
- Hydraulic oil cooler as standard ensures optimal oil temperatures under extreme operating conditions (hydraulic hammer).
- Hydraulic telescopic undercarriage standard for 2003.
- Cab can be easily removed, whilst retaining all cockpit functions.
- Two lifting eyes on the cab for easy relocation of the excavator.
- Vertical Digging System (VDS).*

*Option



1703

2003



DIMENSIONS		1703	2003
A	Height	2380 mm	2375 mm
B	Width	990 - 1300* mm	990 - 1300* mm
C	Transport length (boom down)	3810 mm	3990 mm
DIGGING DATA (LONG / SHORT DIPPER ARM)			
D	Max. digging depth	2185 / 2380 mm	2500 / 2639 mm
E	Max. vertical digging depth	1490 / 1670 mm	1670 / 1855 mm
F	Max. digging height	3500 / 3620 mm	3860 / 3982 mm
G	Max. dumping height	2545 / 2665 mm	2760 / 2885 mm
H	Max. digging radius	3770 / 3957 mm	4090 / 4273 mm
J	Max. reach on the ground	3675 / 3867 mm	4000 / 4185 mm
(GENERAL) DIGGING DATA			
K	Tail slewing radius	1160 mm	1160 mm
	Max. boom offset to centre of bucket right side	517 mm	517 mm
	Max. boom offset to centre of bucket left side	357 mm	357 mm
N	Max. lift of dozer blade above ground	260 mm	245 mm
O	Max. digging depth of dozer blade below ground	230 mm	238 mm
P	Track length	1445 / 1605* mm	1710 mm
Q	Max. swing angle of boom system to the right	48 °	48 °
R	Max. swing angle of boom system to the left	77 °	77 °
S	Min. boom slewing radius	1555 mm	1575 mm
T	Crawler width	230 mm	250 mm

* Telescopic undercarriage

A	LIFTING POWER 1703						LIFTING POWER 2003										
	2 m		2,5 m		3 m		max.		2 m		2,5 m		3 m		max.		
B	0°	90°	0°	90°	0°	90°	0°	90°	B	0°	90°	0°	90°	0°	90°	0°	90°
2,5 m	-	-	385*	385*	-	-	395*	395*	3,0 m	-	-	400*	400*	-	-	415*	415*
2,0 m	-	-	385*	385*	-	-	395*	340	2,0 m	-	-	400*	400*	390*	380	395*	330
1,0 m	655*	605	505*	425	430*	340	400*	295	1,0 m	755*	650	550*	475	455*	370	405*	285
0,0 m	835*	580	605*	400	470*	325	440*	300	-0,0 m	920*	615	665*	445	510*	340	425*	290
-1,0 m	705*	580	500*	385	-	-	455*	395	-1,0 m	795*	610	580*	445	-	-	440*	360
-1,5 m	455*	455*	-	-	-	-	445*	445*	-1,5 m	580*	580*	-	-	-	-	435*	435*

OPERATIONAL DATA		1703	2003
	Transport weight with cab	1715 kg	
	Transport weight with canopy	1625 kg	
	Transport weight with cab and telescopic undercarriage	1795 kg	1940 kg
	Transport weight with canopy and telescopic undercarriage	1705 kg	1850 kg
	Telescopic undercarriage	990 - 1300 mm	990 - 1300 mm
	Max. tear-out force	10,6 kN	12,2 kN
	Max. bucket digging force	17,7 kN	18,8 kN
ENGINE			
	Make/Type	Yanmar 3TNV76	Yanmar 3TNV76
	Model	water-cooled 3-cylinder diesel engine	water-cooled 3-cylinder diesel engine
	Max. engine output	17,9 kW (24,3 PS)	17,9 kW (24,3 PS)
	Performance to ISO	13,2 kW (17,9 PS)	13,2 kW (17,9 PS)
	Engine displacement	1116 cm³	1116 cm³
	Engine speed	2200 min⁻¹	2200 min⁻¹
	Battery	12 V / 45 Ah	12 V / 45 Ah
	Fuel tank capacity	24 l	24 l
HYDRAULIC SYSTEM			
	Pump	Double variable and double gear pump	Double variable and double gear pump
	Flow rate	23,9 + 23,9 + 19,1 + 6,5 l/min	23,9 + 23,9 + 19,1 + 6,5 l/min
	Operating pressure for working and driving hydraulics	200 bar	200 bar
	Operating pressure for slewing gear	125 bar	150 bar
	Hydraulic oil cooler	Standard	Standard
	Hydraulic tank capacity	21 l	21 l
UNDERCARRIAGE AND SLEWING SYSTEM			
	Travel Speed	2,8 km/h, 5,6 km/h	2 km/h, 4,1 km/h
	Gradeability	30° (58 %)	30° (58 %)
	Crawler width	230 mm	250 mm
	No. of track rollers per side	3	4
	Ground clearance	200 mm	180 mm
	Ground pressure	0,27 kg/cm²	0,27 kg/cm²
	Superstructure slewing speed	10 min⁻¹	10 min⁻¹
DOZER BLADE			
	Width / height	990 (1300*) / 260 mm	990-1300 / 260 mm
	Max. lift above ground	260 mm	245 mm
	Max. lift below ground	230 mm	238 mm
NOISE EMISSIONS			
	Noise level (L-) In accordance with 2000/14/EG	93 dB(A)	93 dB(A)
	Noise level (L-) In accordance with ISO 6394	77 dB(A)	75 dB(A)

* telescopic undercarriage

- ▲ Projection from the middle of the turntable
- Load sling height above ground level

* Lifting force is restricted hydraulically. All values in the table are given in kg, at horizontal standing on hard ground and without bucket. If a bucket or other work tool is attached, the lifting power or tipping load is reduced by their weight. Basis of calculations: as ISO 10567. The lifting power of the compact excavator is limited by the adjustment of the pressure control valve and by the tipping security. Neither 75% of the static tipping load nor 87% of the hydraulic lifting power is exceeded.

